

ALKA300H

Wall Mounted Integrated Solar Power Inverter System

1 - 5 KVA



Product snapshot:

Model : 1-5KVA

Nominal Voltage : 220/230/VAC

Nominal Frequency : 50/60/HZ

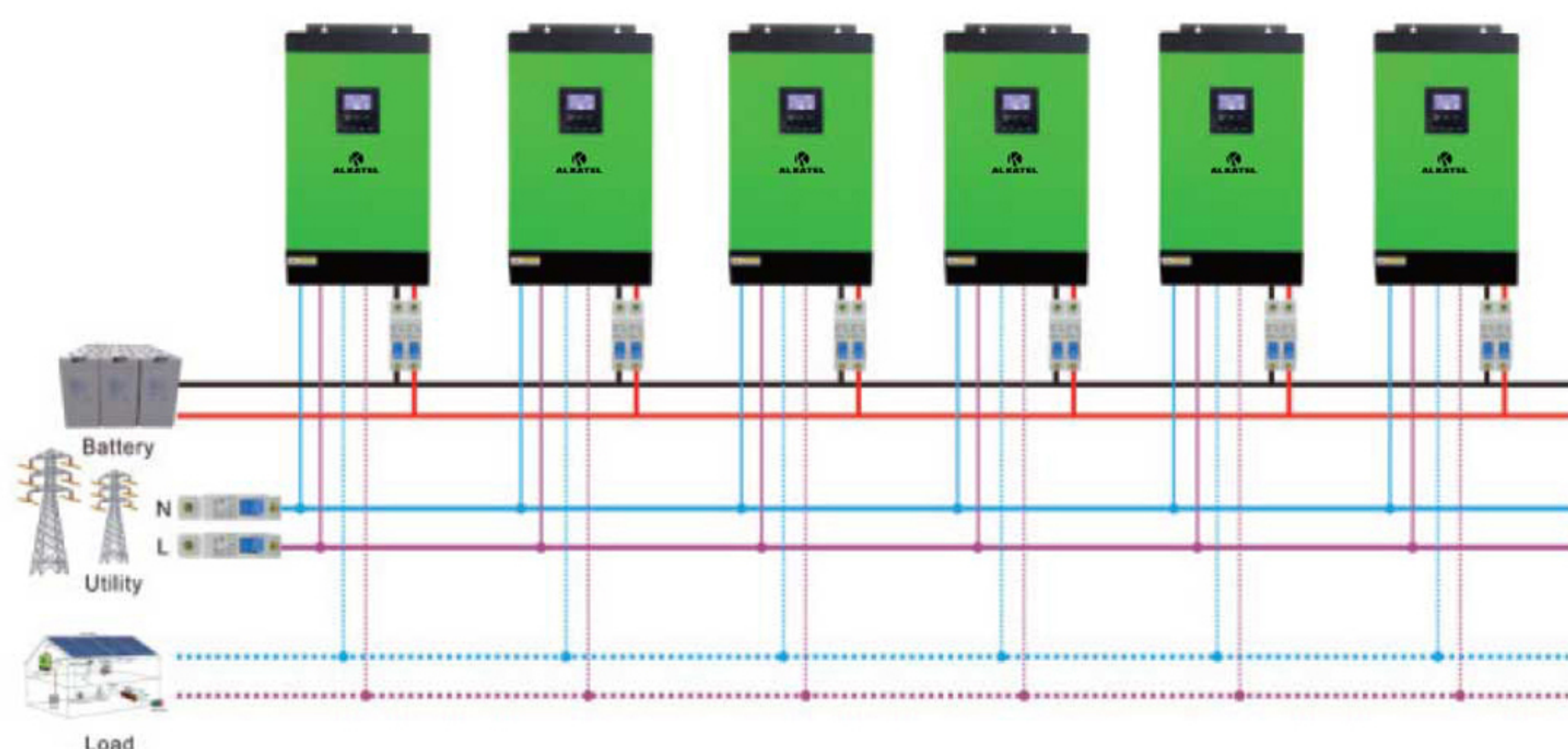
Output Power Factor: 0.8

Key Features :

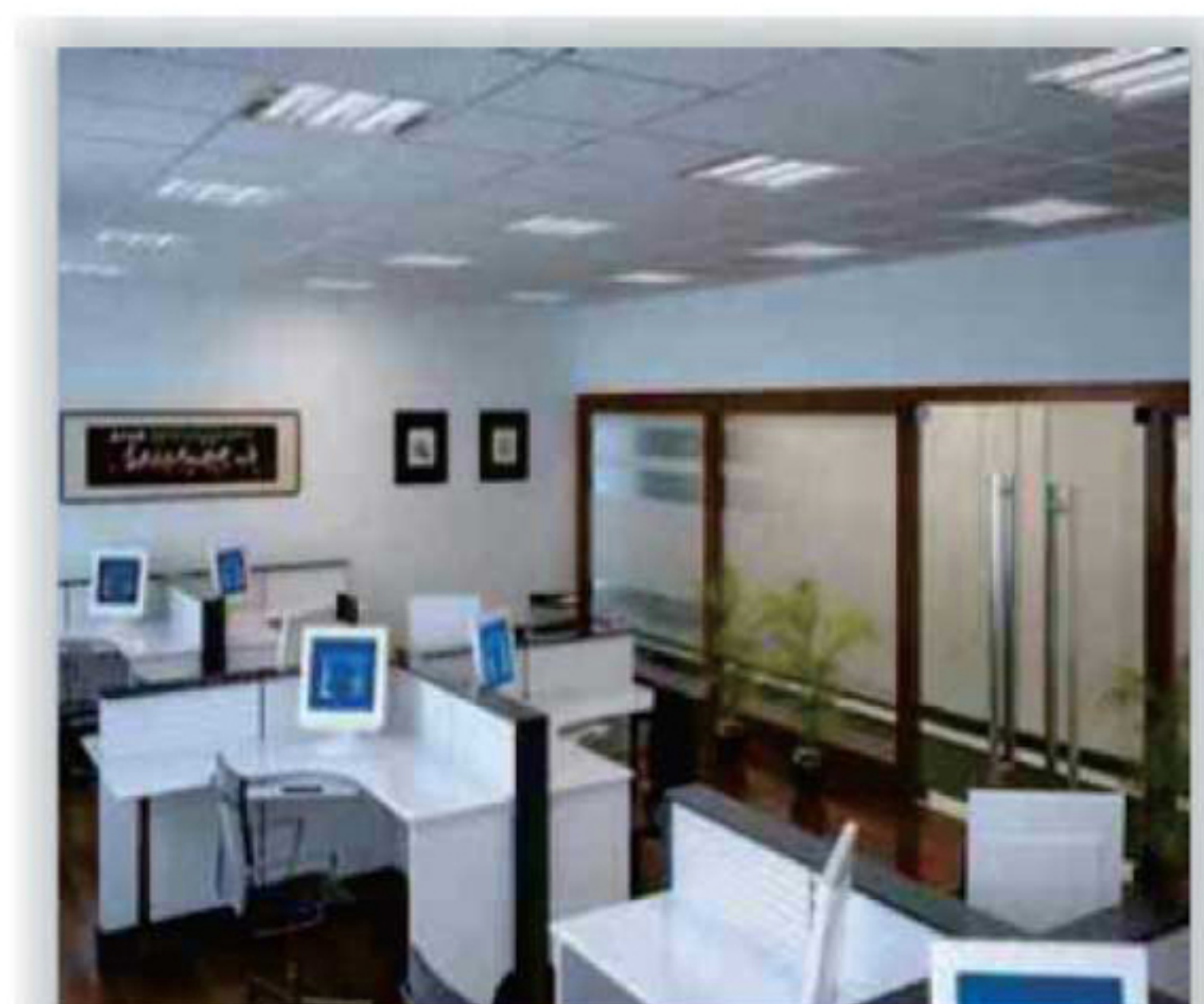
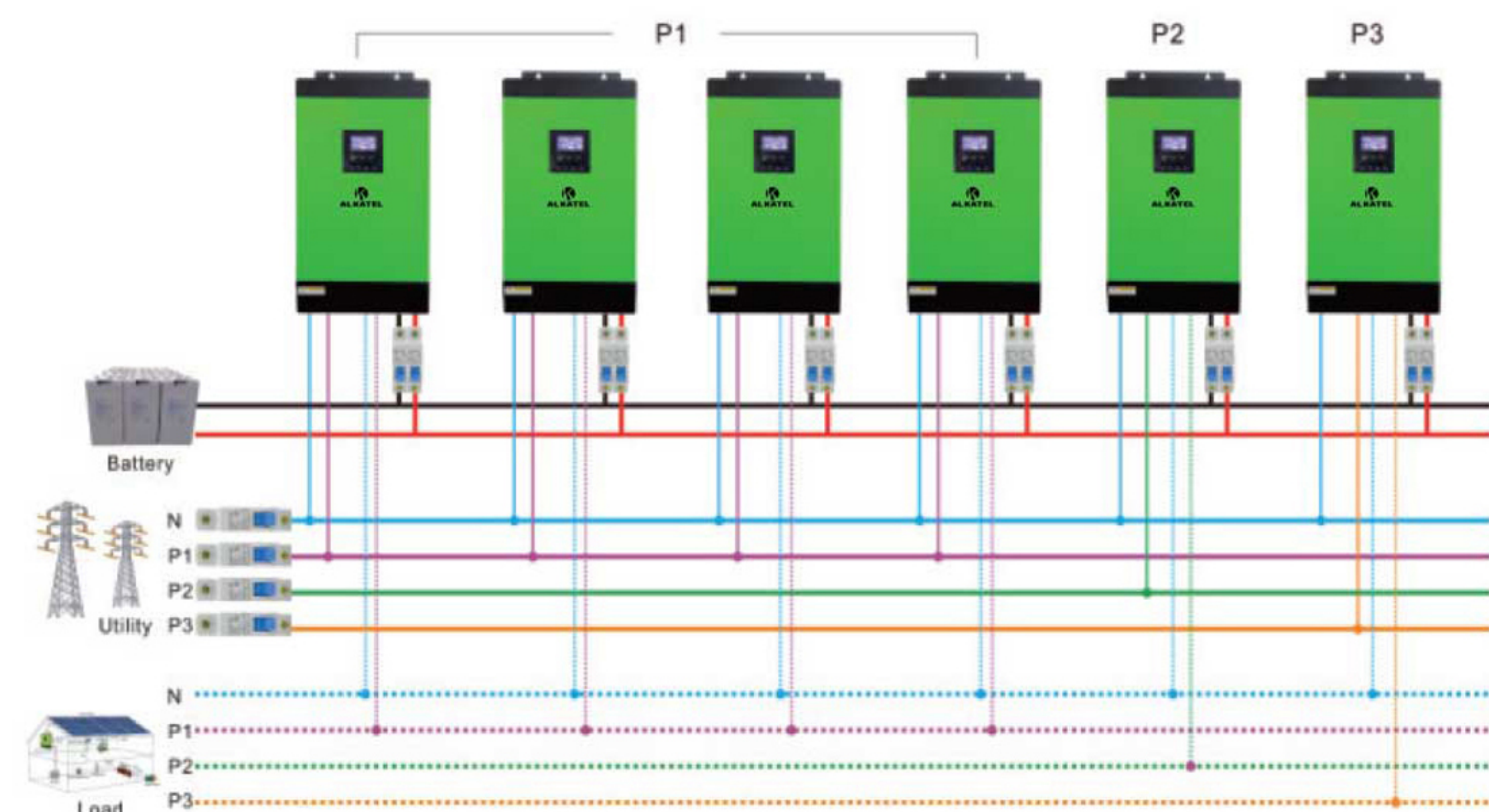
- Pure sine wave inverter
- Cold start function
- Auto restart while AC is recovering
- Overload and short circuit protection
- Optional remote panel available
- Selectable charging current based on applications
- Configurable AC/Solar input priority via LCD setting
- Compatible to mains voltage or generator power
- Smart battery charger design for optimized battery performance
- Parallel operation with up to 6 units only available for 4KVA/5KVA
- Selectable input voltage range for home appliances and personal computers



■ Single phase output up to 24kw using 6 units



■ Three phase output using either 3 units (12kw) or max 6 units (24kw)



ALKA300H1

Wall Mounted Integrated Solar Power Inverter technical specification

Built-in PWM Solar controller

MODEL	H1 1K-1250	H1 2K-2450	H1 3K-2450	H1 4K-4850	H1 5K-4850
Rated Power	1000VA/800W	2000VA/1600W	3000VA/2400W	4000VA/3200W	5000VA/4000W
INPUT					
Voltage	230 VAC				
Selectable Voltage Range	170280- VAC (For Personal Computers) 90280- VAC (For Home Appliances)				
Frequency Range	50 Hz/60 Hz				
OUTPUT					
AC Voltage Regulation (Batt. Mode)	230VAC \pm 5%				
Surge Power	2000VA	4000VA	6000VA	8000VA	10000VA
Efficiency (Peak)	90%	93%			
Transfer Time	10 ms (For Personal Computers) 20 ms (For Home Appliances)				
Waveform	Pure sine wave				
BATTERY					
Battery Voltage	12 VDC	24 VDC	48 VDC	48 VDC	48 VDC
Floating Charge Voltage	13.5 VDC	27 VDC	54 VDC	54 VDC	54 VDC
Overcharge Protection	15.5 VDC	31 VDC	60 VDC	60 VDC	60 VDC
SOLAR CHARGER & AC CHARGER					
Maximum PV Array Open Circuit Voltage	50 VDC	60 VDC	105 VDC	105 VDC	105 VDC
Standby Power Consumption	1W	2W	2W	2W	2W
Maximum Solar Charge Current	50A	50A	50A	50A	50A
Maximum AC Charge Current	20A	30A	60A	60A	60A
Maximum Charge Current	50A	50A	110A	110A	110A
PHYSICAL					
Dimension, D x W x H (mm)	95 x 240 x 316	100 x 272 x 355	120 x 295 x 468	120 x 295 x 468	120 x 295 x 468
Net Weight (kgs)	5.0	6.4	6.9	9.8	9.8
OPERATING ENVIRONMENT					
Humidity	5% to 95% Relative Humidity(Non-condensing)				
Operating Temperature	0°C to 55°C				
Storage Temperature	-15°C to 60°C				

STANDARD: safety:IEC609501-1-/IEC620401-1-/ AS 620401-1-,EMC;IEC620402- / AS620402-/EN500912- CLASS,Design and test:IEC620403- / AS 620403-