

ALKA300H

Wall Mounted Integrated Solar Power Inverter System

1 - 5 KVA



Product snapshot:

Model : 1-5KVA

Nominal Voltage : 220/230/VAC

Nominal Frequency : 50/60/HZ

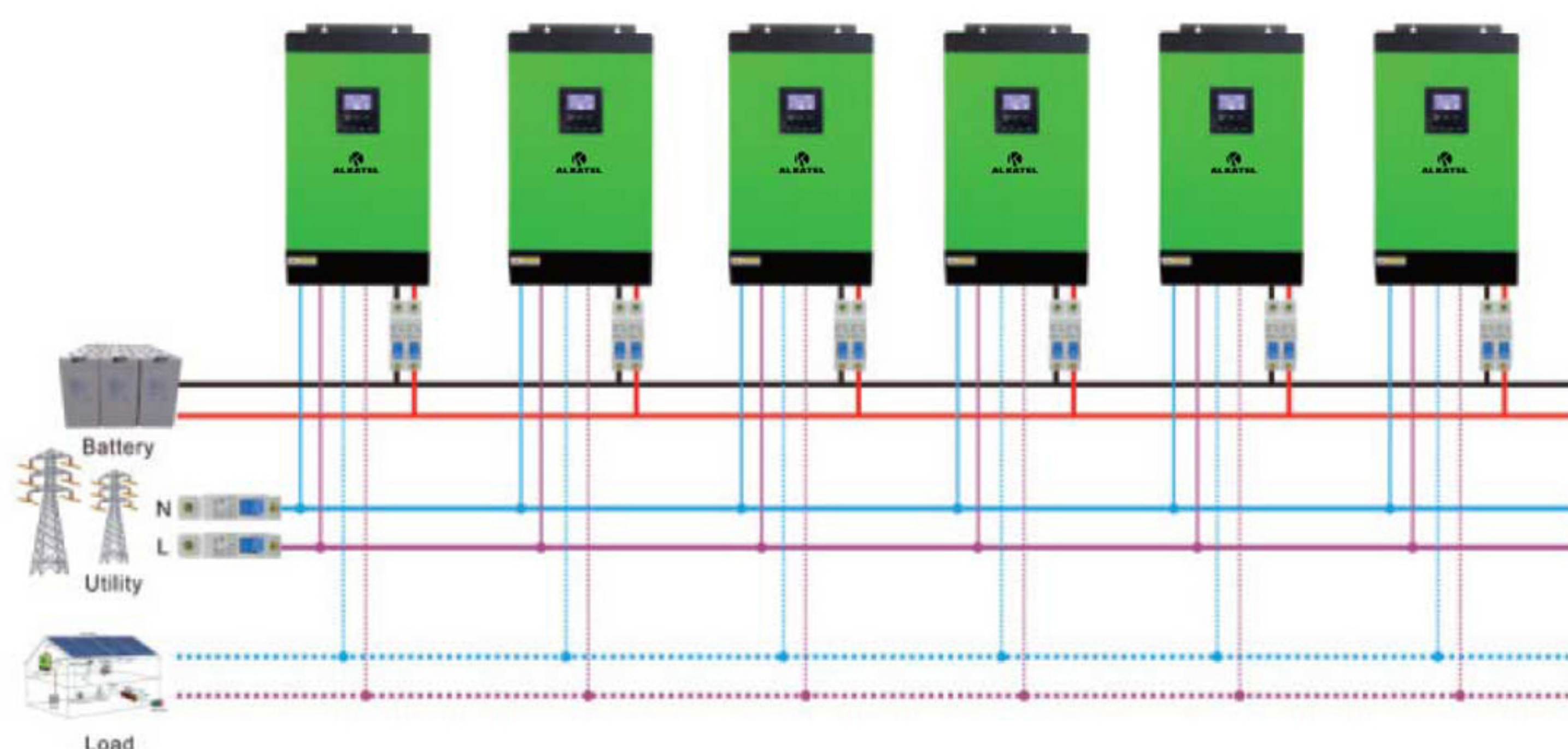
Output Power Factor: 0.8

Key Features :

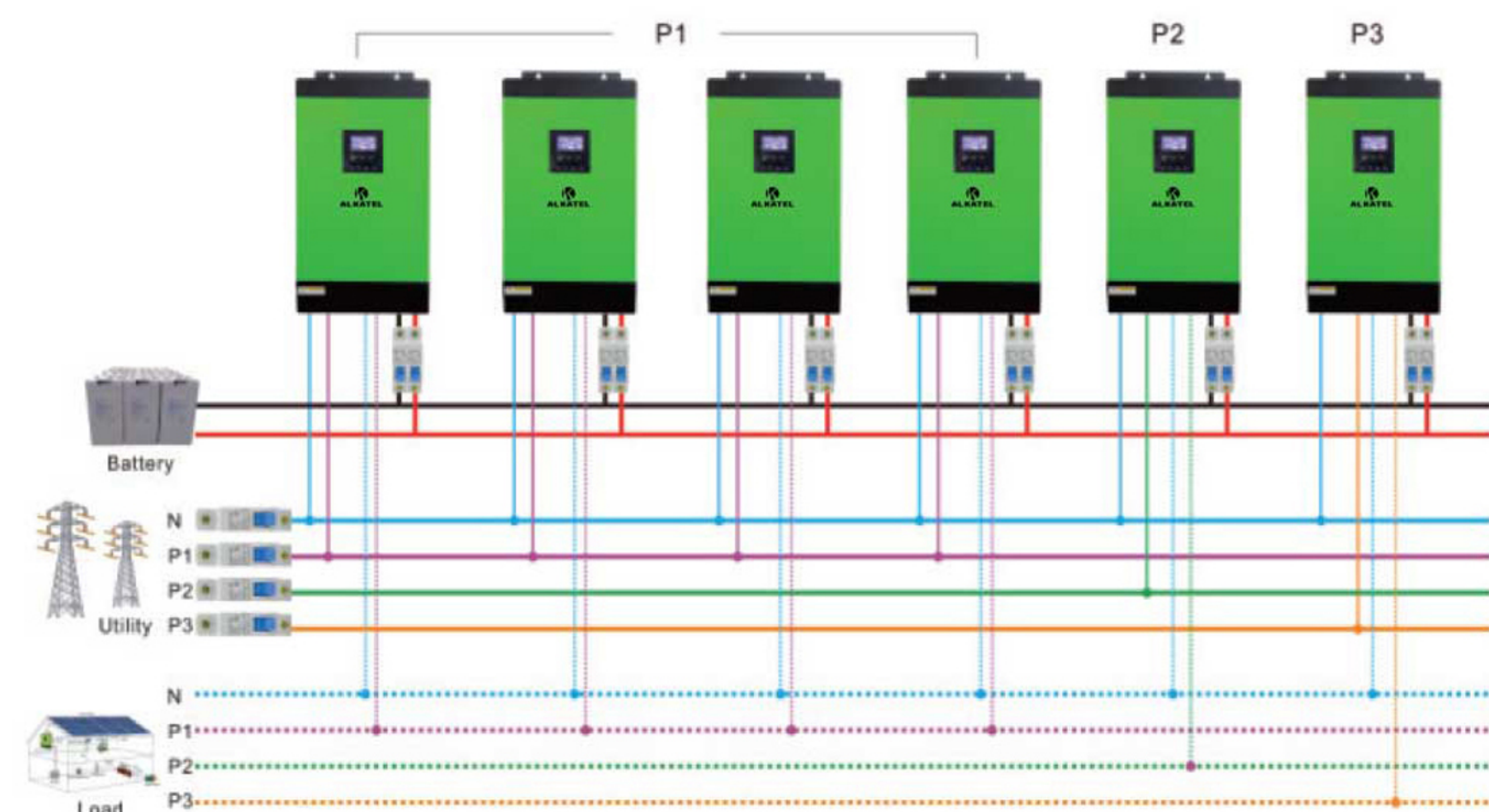
- Pure sine wave inverter
- Cold start function
- Auto restart while AC is recovering
- Overload and short circuit protection
- Optional remote panel available
- Selectable charging current based on applications
- Configurable AC/Solar input priority via LCD setting
- Compatible to mains voltage or generator power
- Smart battery charger design for optimized battery performance
- Parallel operation with up to 6 units only available for 4KVA/5KVA
- Selectable input voltage range for home appliances and personal computers



■ Single phase output up to 24kw using 6 units



■ Three phase output using either 3 units (12kw) or max 6 units (24kw)



ALKA300H4

Wall Mounted Integrated Solar Power Inverter technical specification

Built-in MPPT Solar controller

MODEL	C4 2K-2460	C4 3K-2460	C4 4K-4860	C4 5K-4860
Rated Power	2KVA/1600W	3KVA/2400W	4KVA/3200W	5KVA/4000W
INPUT				
Voltage	230 VAC			
Selectable Voltage Range	170280- VAC (For Personal Computers) 90280- VAC (For Home Appliances)			
Frequency Range	50 Hz/60 Hz			
OUTPUT				
AC Voltage Regulation (Batt. Mode)	230VAC \pm 5%			
Surge Power	4000VA	6000VA	8000VA	10000VA
Efficiency (Peak)	93%			
Transfer Time	10 ms (For Personal Computers) 20 ms (For Home Appliances)			
Waveform	Pure sine wave			
BATTERY				
Battery Voltage	24 VDC		48 VDC	
Floating Charge Voltage	27 VDC		54 VDC	
Overcharge Protection	31 VDC		62 VDC	
SOLAR CHARGER & AC CHARGER				
Maximum PV Array Power	1500W		3000W	
MPPT Range @ Operating Voltage	30 ~ 115VDC		60 ~ 115VDC	
Maximum PV Array Open Circuit Voltage	145VDC			
Maximum Solar Charge Current	60A		60A	
Maximum AC Charge Current	2030/A	30A	60A	
Maximum Charge Current	90A		120A	
Maximum Efficiency	98%			
Standby Power Consumption	2W			
PHYSICAL				
Dimension, D x W x H (mm)	295x140x440		295x140x540	
Net Weight (kgs)	11.5		15.5	
OPERATING ENVIRONMENT				
Humidity	5% to 95% Relative Humidity(Non-condensing)			
Operating Temperature	0°C to 55°C			
Storage Temperature	-15°C to 60°C			

STANDARD: safety: IEC609501-1-/IEC620401-1-/ AS 620401-1-, EMC; IEC620402- / AS620402- / EN500912- CLASS, Design and test: IEC620403- / AS 620403-

Note: Product specifications are subject to change without further notice.

